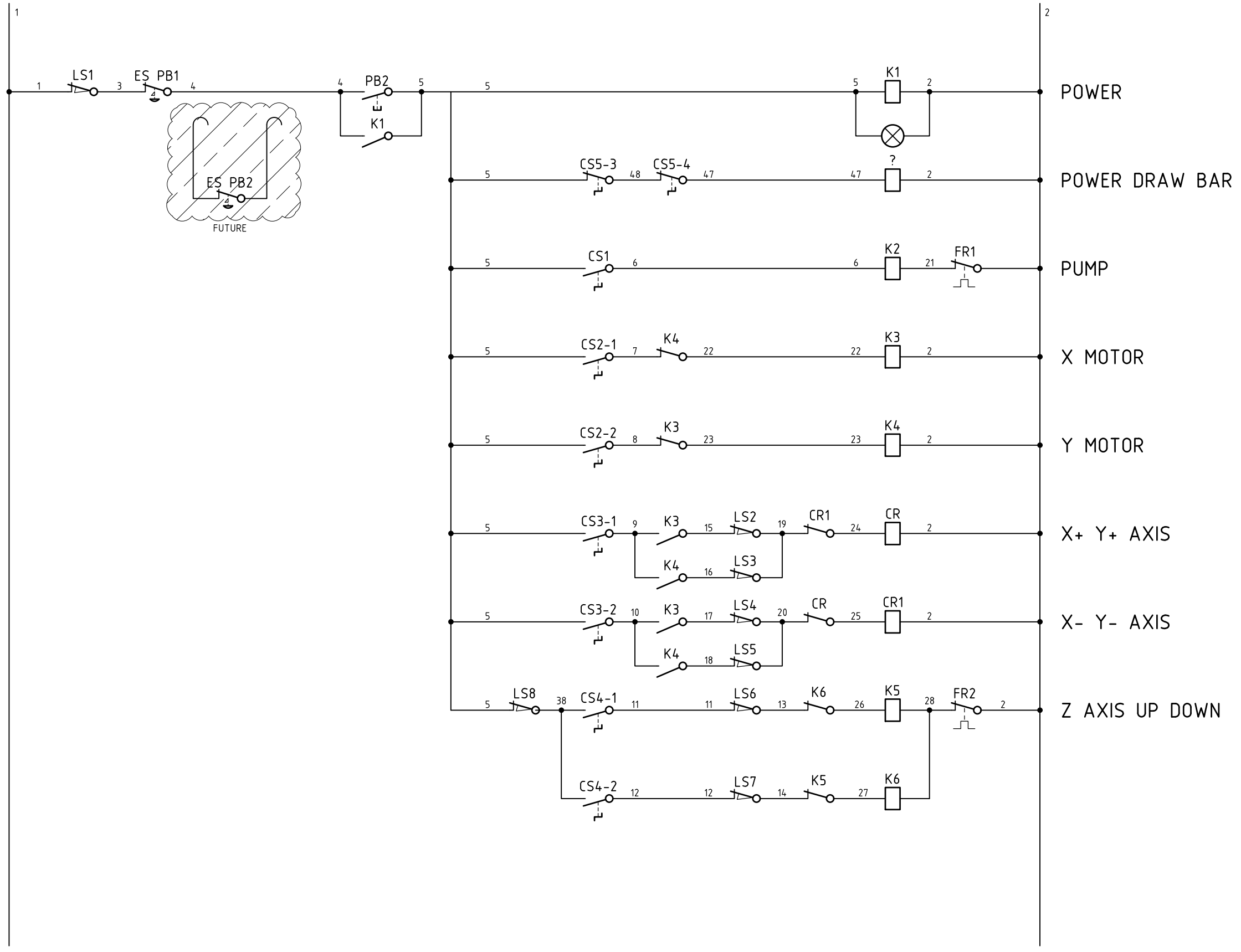


24 VAC SUPPLY
(SHEET 1)

24 VAC SUPPLY
(SHEET 1)



PROJECT No:

NUMBER	TITLE

REV	DRAWN	CHECKED	CLIENT APP'D	DESCRIPTION	D.O. APP'D	DATE
1	L.A. YIP	-	-	REDRAWN TO CAD.	-	2021-11-09

3RD ANGLE PROJECTION
U.N.O.

ALL DIMENSIONS IN
MILLIMETRES U.N.O.

DO NOT SCALE

SCALE-

PERTH ARTIFACTORY artifactory.org.au

PERTH ARTIFACTORY
TURRET MILLING MACHINE TYPE BM-70VE
ELECTRICAL SCHEMATIC
SHEET 2

DRAWING NUMBER		A2
-		
DRG. REV.		A2
M/F. REV.		
REV.		

