

Robert Bosch GmbH
Power Tools Division
70764 Leinfelden-Echterdingen
GERMANY

www.bosch-pt.com

1 609 92A 15Z (2015.01) PS / 18 XXX



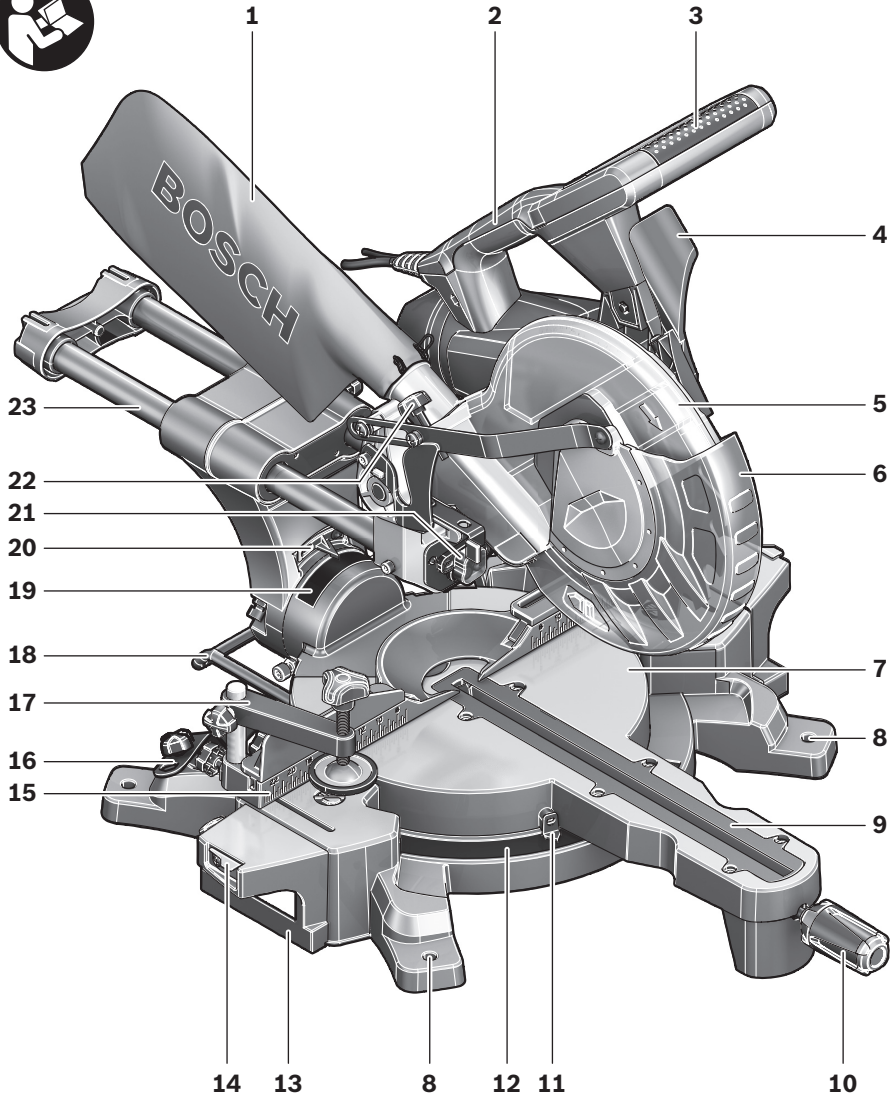
1 609 92A 15Z

PCM 1800 SD

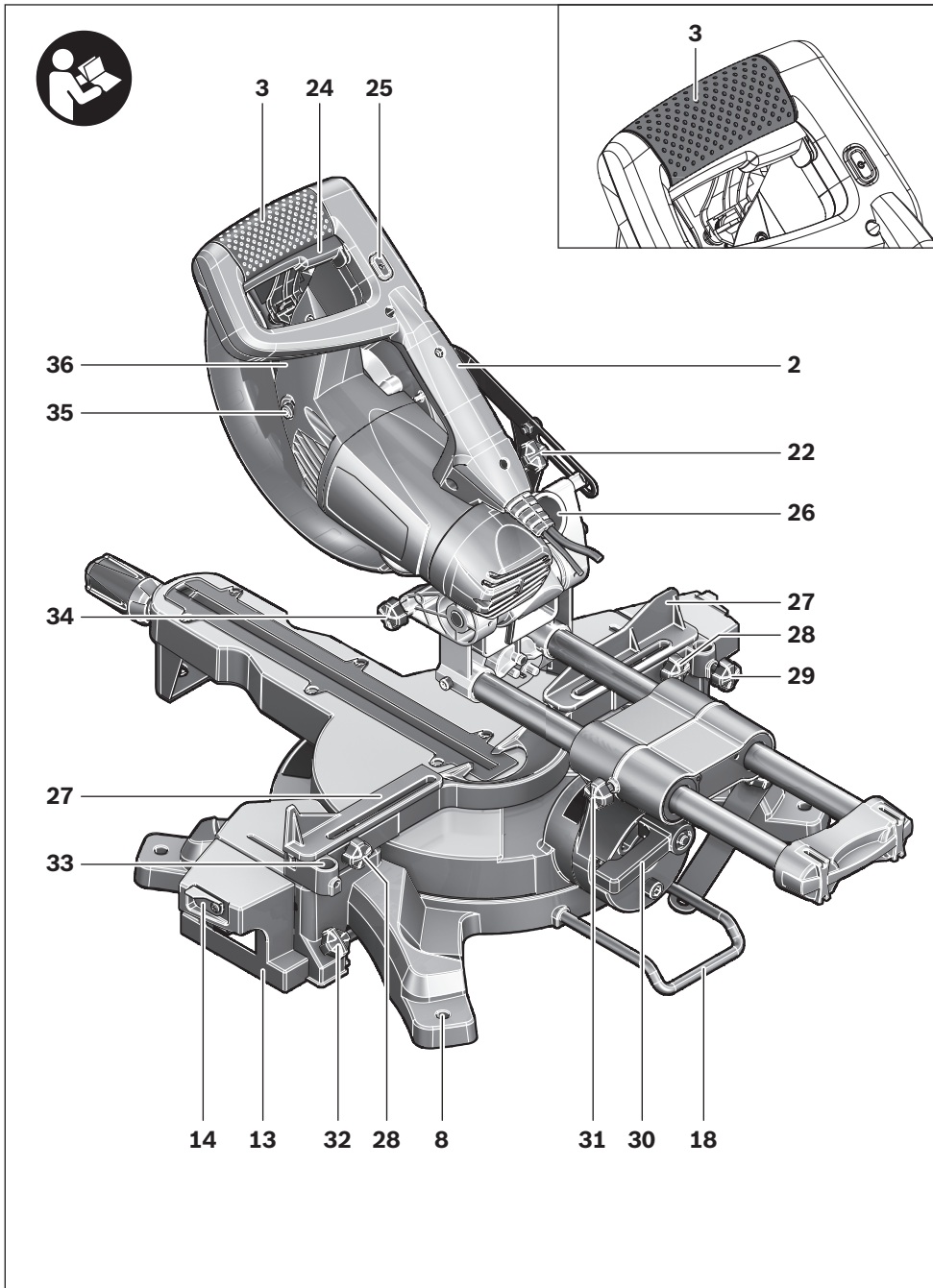


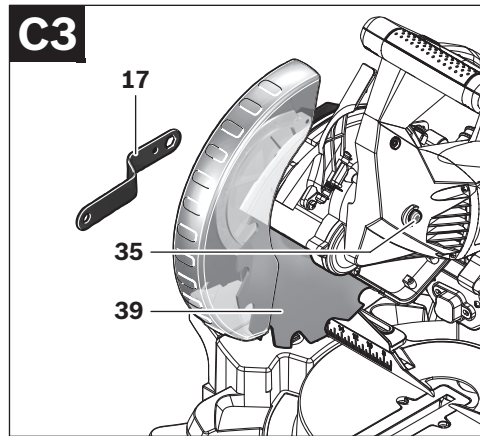
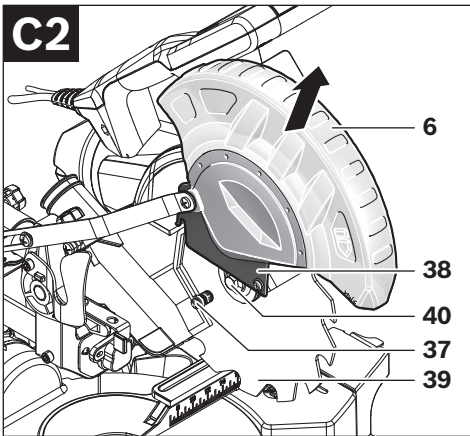
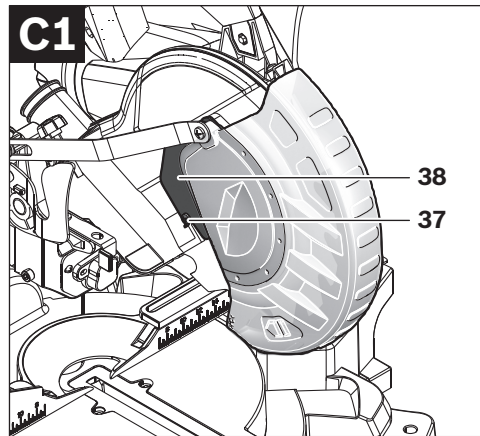
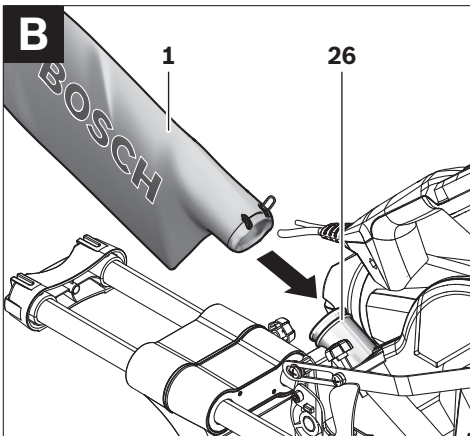
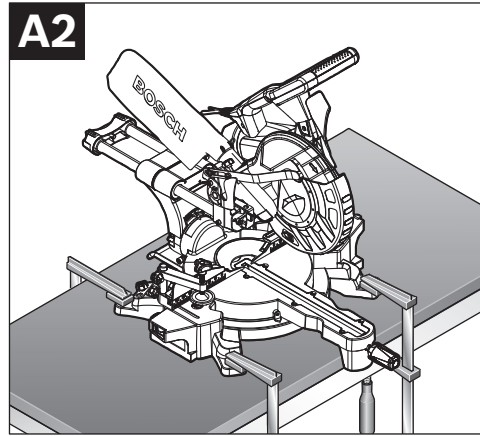
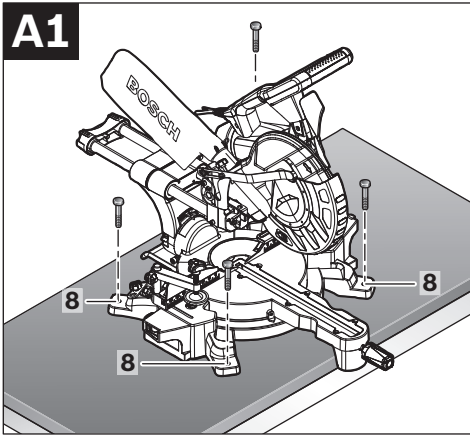
en Original instructions

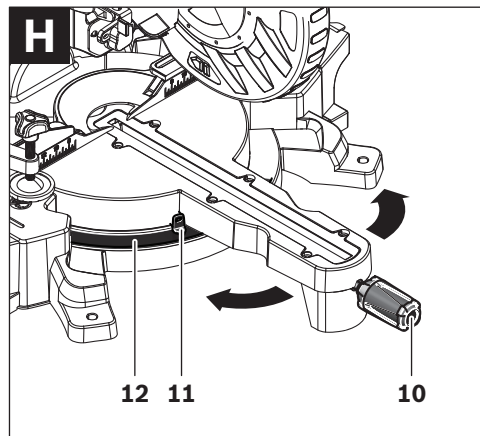
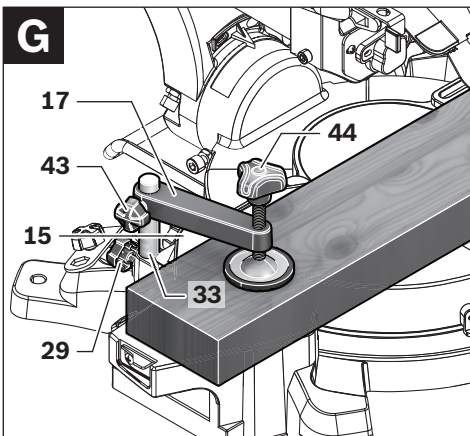
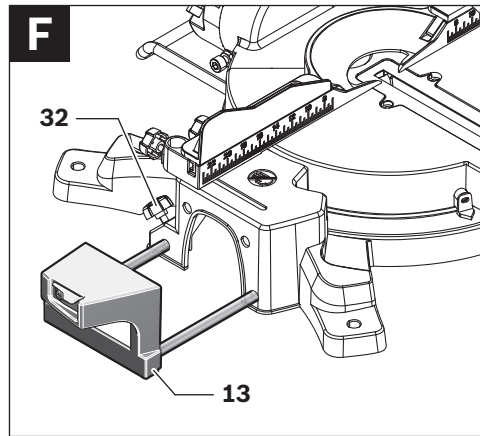
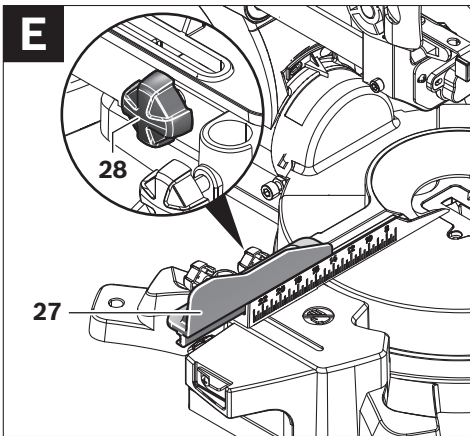
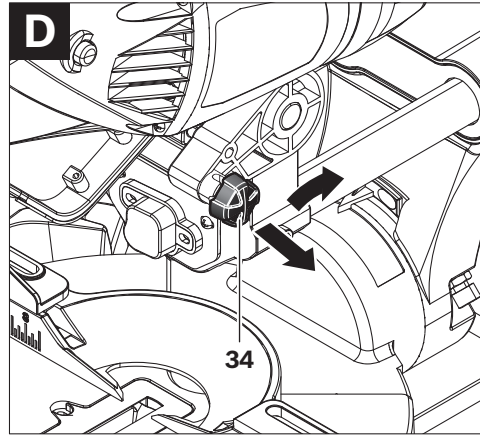
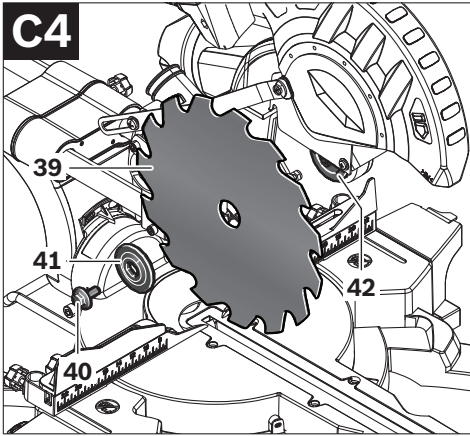




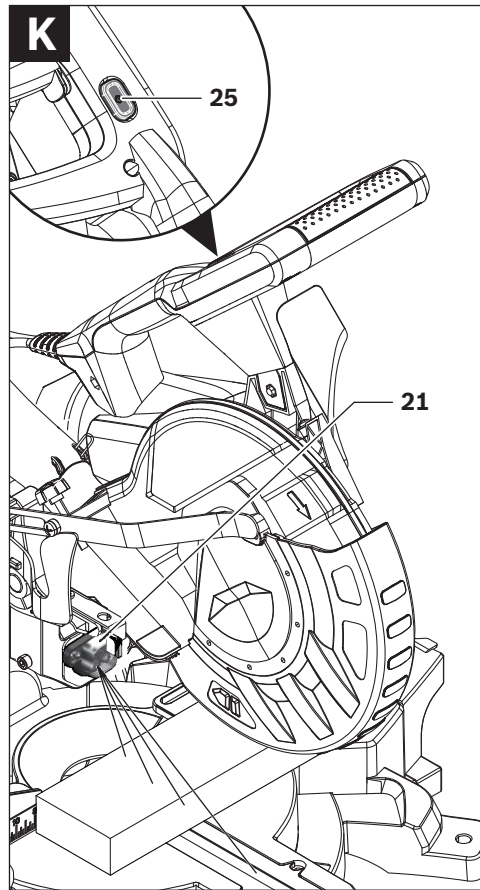
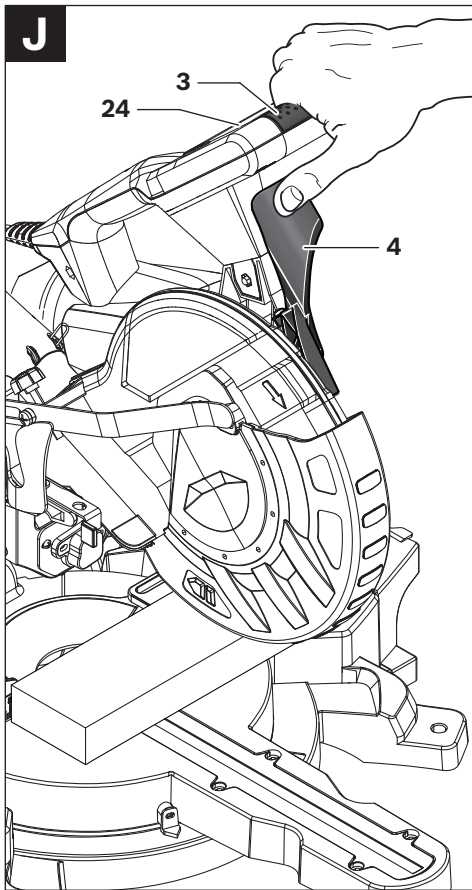
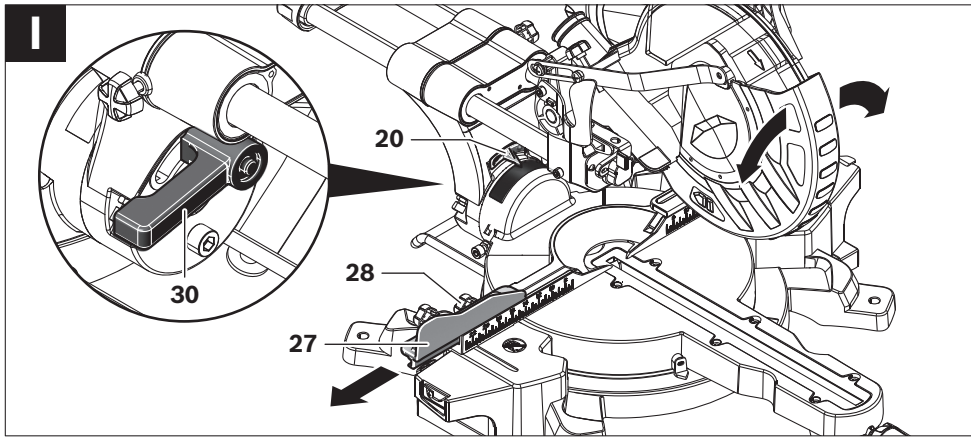
PCM 1800 SD

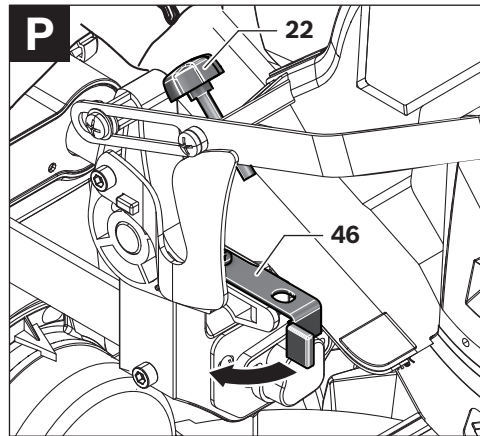
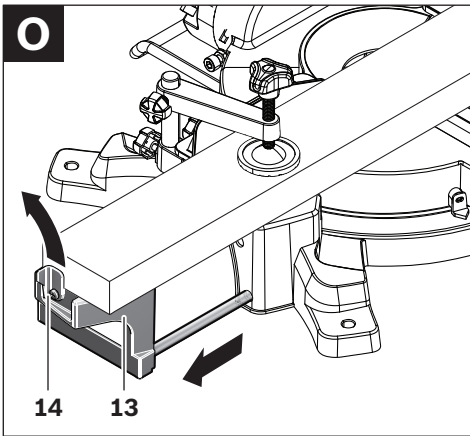
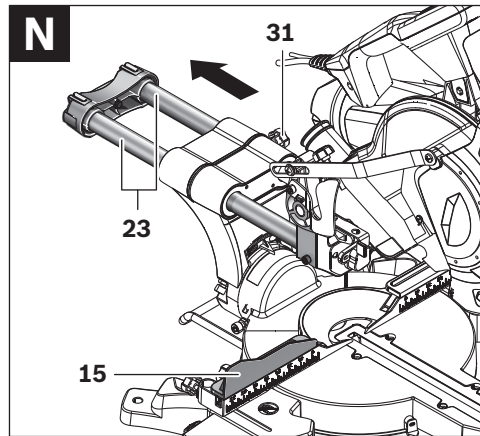
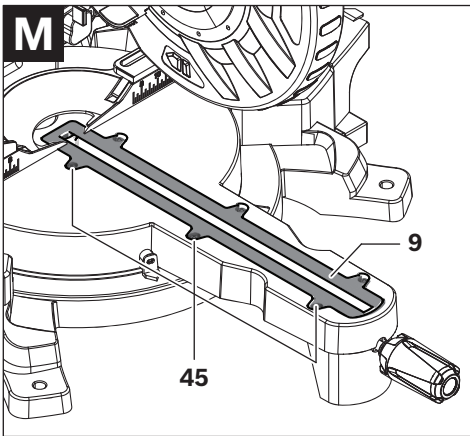
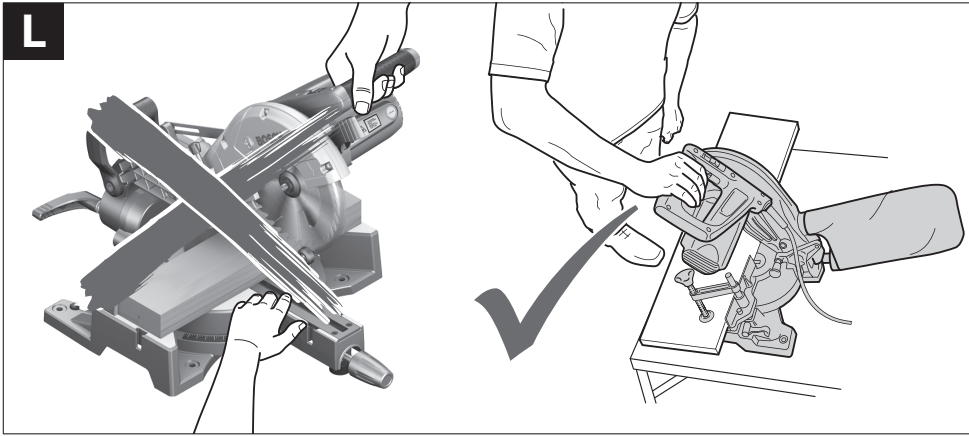


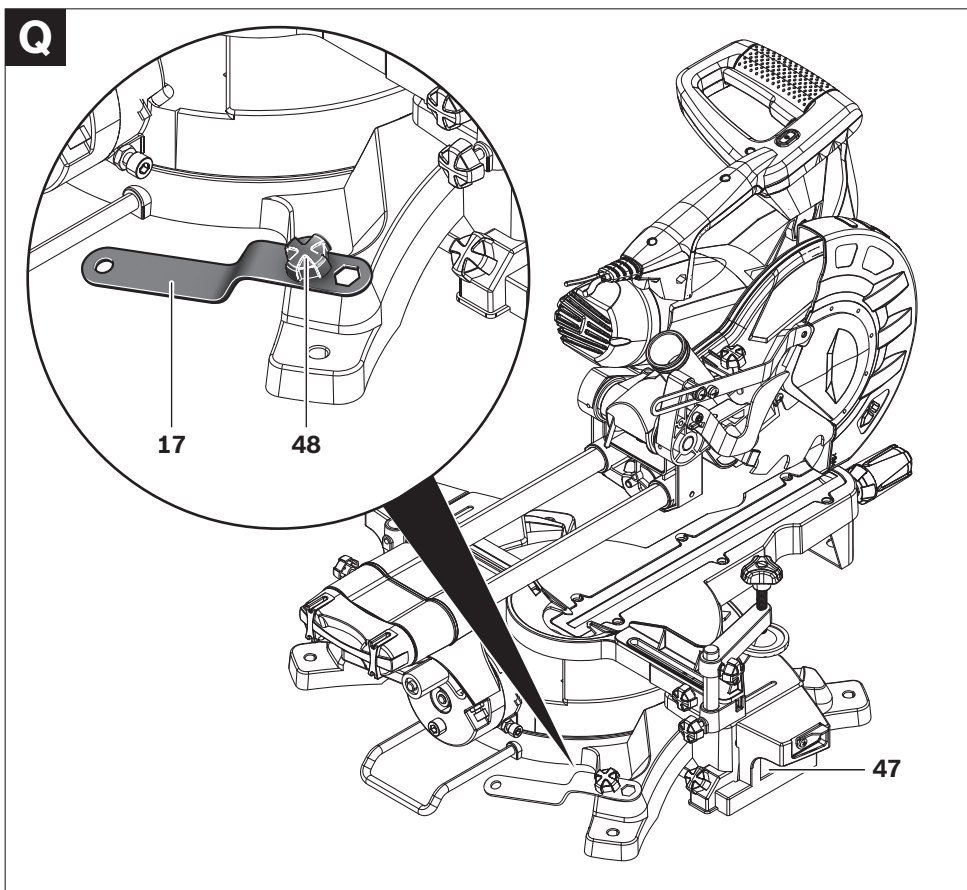




6 |







English

Safety Notes

General Power Tool Safety Warnings

⚠ IMPORTANT When using electric tools basic safety precautions should always be followed to reduce the risk of fire, electric shock and personal injury including the following.

Read all these instructions before attempting to operate this product and save these instructions.

The term "power tool" in the warnings refers to your mains-operated (corded) power tool or battery-operated (cordless) power tool.

Work area safety

- ▶ **Keep work area clean and well lit.** Cluttered or dark areas invite accidents.
- ▶ **Do not operate power tools in explosive atmospheres, such as in the presence of flammable liquids, gases or dust.** Power tools create sparks which may ignite the dust or fumes.
- ▶ **Keep children and bystanders away while operating a power tool.** Distractions can cause you to lose control.

Electrical safety

- ▶ **Power tool plugs must match the outlet. Never modify the plug in any way. Do not use any adapter plugs with earthed (grounded) power tools.** Unmodified plugs and matching outlets will reduce risk of electric shock.
- ▶ **Avoid body contact with earthed or grounded surfaces, such as pipes, radiators, ranges and refrigerators.** There is an increased risk of electric shock if your body is earthed or grounded.
- ▶ **Do not expose power tools to rain or wet conditions.** Water entering a power tool will increase the risk of electric shock.
- ▶ **Do not abuse the cord. Never use the cord for carrying, pulling or unplugging the power tool. Keep cord away from heat, oil, sharp edges and moving parts.** Damaged or entangled cords increase the risk of electric shock.
- ▶ **When operating a power tool outdoors, use an extension cord suitable for outdoor use.** Use of a cord suitable for outdoor use reduces the risk of electric shock.
- ▶ **If operating a power tool in a damp location is unavoidable, use a residual current device (RCD) protected supply.** Use of an RCD reduces the risk of electric shock.

Personal safety

- ▶ **Stay alert, watch what you are doing and use common sense when operating a power tool. Do not use a power tool while you are tired or under the influence of drugs, alcohol or medication.** A moment of inattention while operating power tools may result in serious personal injury.
- ▶ **Use personal protective equipment. Always wear eye protection.** Protective equipment such as dust mask, non-skid safety shoes, hard hat, or hearing protection

used for appropriate conditions will reduce personal injuries.

- ▶ **Prevent unintentional starting. Ensure the switch is in the off-position before connecting to power source and/or battery pack, picking up or carrying the tool.** Carrying power tools with your finger on the switch or energising power tools that have the switch on invites accidents.
- ▶ **Remove any adjusting key or wrench before turning the power tool on.** A wrench or a key left attached to a rotating part of the power tool may result in personal injury.
- ▶ **Do not overreach. Keep proper footing and balance at all times.** This enables better control of the power tool in unexpected situations.
- ▶ **Dress properly. Do not wear loose clothing or jewellery. Keep your hair, clothing and gloves away from moving parts.** Loose clothes, jewellery or long hair can be caught in moving parts.
- ▶ **If devices are provided for the connection of dust extraction and collection facilities, ensure these are connected and properly used.** Use of dust collection can reduce dust-related hazards.

Power tool use and care

- ▶ **Do not force the power tool. Use the correct power tool for your application.** The correct power tool will do the job better and safer at the rate for which it was designed.
- ▶ **Do not use the power tool if the switch does not turn it on and off.** Any power tool that cannot be controlled with the switch is dangerous and must be repaired.
- ▶ **Disconnect the plug from the power source and/or the battery pack from the power tool before making any adjustments, changing accessories, or storing power tools.** Such preventive safety measures reduce the risk of starting the power tool accidentally.
- ▶ **Store idle power tools out of the reach of children and do not allow persons unfamiliar with the power tool or these instructions to operate the power tool.** Power tools are dangerous in the hands of untrained users.
- ▶ **Maintain power tools. Check for misalignment or binding of moving parts, breakage of parts and any other condition that may affect the power tool's operation. If damaged, have the power tool repaired before use.** Many accidents are caused by poorly maintained power tools.
- ▶ **Keep cutting tools sharp and clean.** Properly maintained cutting tools with sharp cutting edges are less likely to bind and are easier to control.
- ▶ **Use the power tool, accessories and tool bits etc. in accordance with these instructions, taking into account the working conditions and the work to be performed.** Use of the power tool for operations different from those intended could result in a hazardous situation.

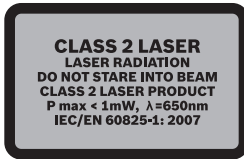
Service

- ▶ **Have your power tool serviced by a qualified repair person using only identical replacement parts.** This will ensure that the safety of the power tool is maintained.

10 | English

Safety Warnings for Sliding Mitre Saws

- ▶ **The power tool is provided with a laser warning label (marked with number 36 in the representation of the power tool on the graphics page).**



- ▶ **If the text of the warning label is not in your national language, stick the provided warning label in your national language over it before operating for the first time.**



Do not direct the laser beam at persons or animals and do not stare into the direct or reflected laser beam yourself, not even from a distance. You could blind somebody, cause accidents or damage your eyes.

- ▶ **If laser radiation strikes your eye, you must deliberately close your eyes and immediately turn your head away from the beam.**
- ▶ **Do not make any modifications to the laser equipment.** The setting options described in these operating instructions can be used safely.
- ▶ **Never make warning signs on the machine unrecognisable.**
- ▶ **Store the machine in a safe manner when not being used. The storage location must be dry and lockable.** This prevents the machine from storage damage, and from being operated by untrained persons.
- ▶ **Use the machine only for cutting the materials listed under Intended Use.** Otherwise, the machine can be subject to overload.
- ▶ **Always firmly clamp the piece to be worked. Do not saw workpieces that are too small to clamp.** Otherwise, the clearance of your hand to the rotating saw blade is too small.
- ▶ **Keep handles dry, clean, and free from oil and grease.** Greasy, oily handles are slippery causing loss of control.
- ▶ **Never use the machine with a damaged cable. Do not touch the damaged cable and pull the mains plug when the cable is damaged while working.** Damaged cables increase the risk of an electric shock.
- ▶ **Check the cable regularly and have a damaged cable repaired only through an authorised customer service agent for Bosch power tools. Replace damaged extension cables.** This will ensure that the safety of the power tool is maintained.
- ▶ **Do not use dull, cracked, bent or damaged saw blades.** Unsharpened or improperly set saw blades produce narrow kerf causing excessive friction, blade binding and kickback.

- ▶ **Never operate the machine without the insert plate. Replace a defective insert plate.** Without flawless insert plates, injuries are possible from the saw blade.
- ▶ **Do not use high speed steel (HSS) saw blades.** Such saw blades can easily break.
- ▶ **Always use blades with correct size and shape (diamond versus round) of arbour holes.** Blades that do not match the mounting hardware of the saw will run eccentrically, causing loss of control.
- ▶ **Make sure that the guard operates properly and that it can move freely.** Never lock the guard in place when opened.
- ▶ **Do not use the saw without guards in position.**
- ▶ **Operate the power tool only when the work area to the workpiece is clear of any adjusting tools, wood chips, etc.** Small pieces of wood or other objects that come in contact with the rotating saw blade can strike the operator with high speed.
- ▶ **Keep the floor free of wood chips and material remainders.** You could slip or trip.
- ▶ **Do not replace the installed laser with another laser type.** A laser that is not suitable for this power tool could pose dangers for other persons.
- ▶ **Never remove cutting remainders, wood chips, etc. from the sawing area while the machine is running.** Always guide the tool arm back to the neutral position first and then switch the machine off.
- ▶ **Do not touch the saw blade after working before it has cooled.** The saw blade becomes very hot while working.
- ▶ **If the saw blade should become jammed, switch the machine off and hold the workpiece until the saw blade comes to a complete stop. To prevent kickback, the workpiece may not be moved until after the machine has come to a complete stop.** Correct the cause for the jamming of the saw blade before restarting the machine.
- ▶ **Never leave the machine before it has come to a complete stop.** Cutting tools that are still running can cause injuries.
- ▶ **Guide the saw blade against the workpiece only when the machine is switched on.** Otherwise there is danger of kickback when the saw blade becomes wedged in the workpiece.
- ▶ **Never stand on the power tool.** Serious injuries can occur when the power tool tips over or when inadvertently coming into contact with the saw blade.

Products sold in GB only: Your product is fitted with a BS 1363/A approved electric plug with internal fuse (ASTA approved to BS 1362). If the plug is not suitable for your socket outlets, it should be cut off and an appropriate plug fitted in its place by an authorised customer service agent. The replacement plug should have the same fuse rating as the original plug. The severed plug must be disposed of to avoid a possible shock hazard and should never be inserted into a mains socket elsewhere.

Products sold in AUS and NZ only: Use a residual current device (RCD) with a rated residual current of 30 mA or less.

Symbols

The following symbols can be important for the operation of your power tool. Please memorise the symbols and their meanings. The correct interpretation of the symbols helps you operate the power tool better and more secure.

Symbol	Meaning
	▶ Laser Radiation Do not stare into beam Class 2 laser product
	▶ Wear safety goggles.
	▶ Wear ear protectors. Exposure to noise can cause hearing loss.
	▶ Wear a dust respirator.
	▶ Keep hands away from the cutting area while the machine is running. Danger of injury when coming in contact with the saw blade.
	▶ Danger area! Keep hands, fingers or arms away from this area.

3 603 M08 040:

∅ 254mm  ∅ 25.4mm

3 603 M08 000:

∅ 255mm  ∅ 30mm

Observe the dimensions of the saw blade. The hole diameter must match the tool spindle without play. Do not use reducers or adapters.

Product Description and Specifications



Read all safety warnings and all instructions. Failure to follow the warnings and instructions may result in electric shock, fire and/or serious injury.

Intended Use

The power tool is intended as a stationary machine for making straight lengthways and crossways cuts in wood. In this, horizontal mitre angles from -45° to $+45^\circ$ as well as vertical bevel angles from 45° (leftward) to 45° (rightward) are possible. The capacity of the power tool is designed for sawing hardwood and softwood.

The power tool is not suitable for cutting aluminium or other non-ferrous metals or alloys.

Product Features

The numbering of the components shown refers to the representation of the power tool on the graphic pages.

- 1 Dust bag
- 2 Transport handle
- 3 Handle
- 4 Locking lever
- 5 Blade guard
- 6 Retracting blade guard
- 7 Saw table
- 8 Mounting holes
- 9 Insert plate
- 10 Locking knob for various mitre angles
- 11 Mitre angle indicator
- 12 Scale for mitre angle
- 13 Saw-table extension
- 14 Material stop
- 15 Fence
- 16 Ring spanner (13 mm)
- 17 Material clamp
- 18 Tilt protector
- 19 Scale for bevel angle
- 20 Indicator for bevel angle
- 21 Laser unit
- 22 Adjusting screw of depth stop
- 23 Slide device
- 24 On/Off switch
- 25 Laser on/off switch (for marking of cutting line)
- 26 Chip ejector
- 27 Fence extension
- 28 Locking screw for fence extension
- 29 Fastening screw for material clamp
- 30 Bevel lock lever
- 31 Locking screw for slide device
- 32 Locking screw of the saw-table extension

12 | English

- 33 Mounting holes for material clamp
- 34 Transport safety-lock
- 35 Spindle lock
- 36 Laser warning label
- 37 Cross-head screw
(attachment of retracting blade guard)
- 38 Cover
- 39 Saw blade
- 40 Hexagon bolt for saw-blade attachment
- 41 Clamping flange
- 42 Interior clamping flange
- 43 Locking screw of the material clamp
- 44 Threaded rod
- 45 Screws for insert plate
- 46 Depth stop
- 47 Recessed handles
- 48 Fastening screw for ring spanner

Accessories shown or described are not part of the standard delivery scope of the product. A complete overview of accessories can be found in our accessories program.

Technical Data

Sliding Mitre Saw		PCM 1800 SD	
Article number		3 603 M08 040 3 603 M08 000	
Rated power input	W	1800	
No-load speed	min ⁻¹	4800	
Cutting depth, max.	mm	80	
Laser type	nm	650	
	mW	< 1	
Laser class		2	
Weight according to EPTA-Procedure 01/2003	kg	20.1	
Protection class		□/II	
Permissible workpiece dimensions (maximum/minimum) see page 15.			
The values given are valid for a nominal voltage [U] of 230 V. For different voltages and models for specific countries, these values can vary.			

Dimension of suitable saw blades

Article number		... 040	... 000
3 603 M08 ...			
Saw blade diameter	mm	254	255
Blade body thickness	mm	1.5–2.8	1.5–2.8
Mounting hole diameter	mm	25.4	30

Assembly

- ▶ **Avoid unintentional starting of the machine. During assembly and for all work on the machine, the power plug must not be connected to the mains supply.**

Delivery Scope

Carefully remove all parts included in the delivery from their packaging.

Remove all packaging material from the machine and the accessories provided.

Before starting the operation of the machine for the first time, check if all parts listed below have been supplied:

- Sliding mitre saw with mounted saw blade
- Dust bag 1
- Ring spanner 16
- Material clamp 17

Note: Check the power tool for possible damage.

Before further use of the machine, check that all protective devices are fully functional. Any lightly damaged parts must be carefully checked to ensure flawless operation of the tool. All parts must be properly mounted and all conditions fulfilled that ensure faultless operation.

Damaged protective devices and parts must be immediately replaced by an authorised service centre.

Additionally required tools (not in delivery scope):

- Cross-head screwdriver
- Angle gauge

Stationary or Flexible Mounting
(see figures A1 – A2)

▶ **To ensure safe handling, the machine must be mounted on a level and stable surface (e. g., workbench) prior to using.**

- Fasten the power tool with suitable screw fasteners to the working surface. The mounting holes 8 serve for this purpose.

or

- Clamp the power tool with commercially available screw clamps by the feet to the working surface.

Dust/Chip Extraction

Dusts from materials such as lead-containing coatings, some wood types, minerals and metal can be harmful to one's health. Touching or breathing-in the dusts can cause allergic reactions and/or lead to respiratory infections of the user or bystanders.

Certain dusts, such as oak or beech dust, are considered as carcinogenic, especially in connection with wood-treatment additives (chromate, wood preservative). Materials containing asbestos may only be worked by specialists.

- Always use dust extraction.
- Provide for good ventilation of the working place.
- It is recommended to wear a P2 filter-class respirator.

Observe the relevant regulations in your country for the materials to be worked.

The dust/chip extraction can be blocked by dust, chips or workpiece fragments.

- Switch the machine off and pull the mains plug from the socket outlet.
- Wait until the saw blade has come to a complete stop.
- Determine the cause of the blockage and correct it.

Integrated Dust Extraction (see figure B)

- Press the clip of the dust bag **1** together and slide the dust bag over the saw dust ejector **26**. The clip must engage into the groove of the saw dust ejector.

During sawing, the dust bag must never come into contact with the movable machine parts.

Always empty the dust bag in good time.

External Dust Extraction

For dust extraction, a vacuum hose (size Ø 35 mm) can also be connected to the chip ejector **26**.

The vacuum cleaner must be suitable for the material being worked.

When vacuuming dry dust that is especially detrimental to health or carcinogenic, use a special vacuum cleaner.

Changing the Tool (see figures C1 – C4)

- ▶ **Before any work on the machine itself, pull the mains plug.**

- ▶ **When mounting the saw blade, wear protective gloves.**
Danger of injury when touching the saw blade.

Use only saw blades whose maximum permitted speed is higher than the no-load speed of the power tool.

Use only saw blades that correspond with the characteristic data given in these operation instructions and that are tested and marked in accordance with EN 847-1.

Use only saw blades recommended by the tool manufacturer and suitable for sawing the materials to be cut.

Removing the Saw Blade

- Bring the power tool into the working position.
- Push the locking lever **4** and swing the retracting blade guard **6** to the rear to the stop.
Hold the retracting blade guard in this position.
- Loosen screw **37** with a cross-head screwdriver.
- Pull the retracting blade guard **6** together with the cover **38** upward, until hexagon bolt **40** is easily accessible.
- Guide the retracting blade guard **6** down again, until it is held by the upper teeth of the saw blade **39**.
- Turn hexagon bolt **40** with the provided ring spanner **16** and at the same time press the spindle lock **35** until it engages.
- Keep the spindle lock **35** pressed and unscrew hexagon bolt **40** in clockwise direction (**left-hand thread!**).
- Remove the clamping flange **41**.
- Lift the retracting blade guard **6** and remove the saw blade **39**.

Mounting the Saw Blade

If required, clean all parts to be mounted prior to assembly.

- Lift the retracting blade guard **6** and position the new saw blade onto the interior clamping flange **42**.

- ▶ **When mounting the saw blade, pay attention that the cutting direction of the teeth (arrow direction on the saw blade) corresponds with the direction of the arrow on the blade guard!**

- Mount clamping flange **41** and hexagon bolt **40**.
- Guide the retracting blade guard **6** down again, until it is held by the upper teeth of the saw blade **39**.
- Press the spindle lock **35** until it engages and tighten hexagon bolt **40** in anticlockwise direction.
- Tilt the retracting blade guard **6** down, until cover **38** can be fastened again (tighten screw **37**).

Operation

- ▶ **Before any work on the machine itself, pull the mains plug.**

Transport Safety (see figure D)

The transport safety-lock **34** enables easier handling of the machine when transporting to various working locations.

Releasing the Machine (Working Position)

- Push the tool arm by the handle **3** down a little in order to relieve the transport safety-lock **34**.
- Pull the transport safety-lock **34** all the way outward and turn it by 90°. Allow the transport safety-lock to engage in this position.
- Guide the tool arm slowly upward.

Securing the Machine (Transport Position)

- Loosen the locking screw **31** if tightened. Pull the tool arm completely to the front and tighten the locking screw again.
- Screw the adjusting screw **22** of the depth stop completely upward. (see “Adjusting the Depth Stop”, page 15)
- To lock the saw table **7**, tighten the locking knob **10**.
- Pull the transport safety-lock **34** all the way outward and turn it by 90°. Allow the transport safety-lock to engage in this position.
- Push the locking lever **4** and at the same time lower the tool arm via handle **3** until the transport safety-lock engages in the end position.

The tool arm is now securely locked for transport.

Preparing for Operation

Extending the Fence (see figure G)

For bevel angles, the fence extensions **27** must be moved.

- Loosen the locking screw **28** and pull the fence extension **27** completely outward.
- Retighten the screw again.

Extending the Saw Table (see figure F)

Long workpieces must be underlaid or supported at their free end.

The saw table can be extended left and right with the saw-table extensions **13**.

- Loosen locking screw **32**.
- Pull out saw-table extension **13** to the desired length (max. 290 mm).
- Retighten the screw again.

14 | English

Clamping the Workpiece (see figure G)

To ensure optimum working safety, the workpiece must always be firmly clamped.

Do not saw workpieces that are too small to clamp.

- Press the workpiece firmly against the fence **15**.
- Insert the material clamp **17** provided into one of the holes **33** intended for it.
- Tighten fastening screw **29**.
- Loosen locking screw **43** and adjust the material clamp to the workpiece. Retighten the locking screw again.
- Firmly clamp the workpiece by turning the threaded rod **44** in clockwise direction.
- To release the material clamp, turn the threaded rod **44** in anticlockwise direction.

Adjusting the Cutting Angle

- ▶ **When adjusting the cutting angle, never actuate the On/Off switch 24.** Danger of injury if the machine should accidentally start.

Adjusting Mitre Angles (see figure H)

The mitre angle can be set in the range from 45° (left side) to 45° (right side).

- Loosen the locking knob **10** in case it is tightened.
- Turn the saw table **7** left or right by the locking knob until the angle indicator **11** indicates the requested mitre angle.
- Tighten the locking knob **10** again.

For quick and precise setting of often used mitre angles, the saw table **7** engages at the detents of the following standard angles:

-45° / -30° / -22.5° / -15°
0° / 15° / 22.5° / 30° / 45°

Adjusting Bevel Angles (see figure I)

The vertical bevel angle can be adjusted in a range from 45° (leftward) to 45° (rightward).

- Loosen the locking screw **28** and pull the fence extension **27** completely outward.
- Loosen the lock lever **30**.
- Tilt the tool arm by the handle **3** until the angle indicator **20** indicates the desired bevel angle.
- Hold the tool arm in this position and retighten the clamping lever **30**.

Note: Clamping lever **30** is indexed (adjustable), allowing it to be set to an ergonomically favourable and space-saving position.

With the clamping lever tightened, pull its lever away from the machine, turn it to the desired position and allow it to engage again.

For quick and precise setting of often used mitre angles, the saw table **7** engages at the detents of the following standard angles:

0° / ±15° / ±30° / ±45°

Starting Operation

- ▶ **Observe correct mains voltage! The voltage of the power source must agree with the voltage specified on the nameplate of the machine. Power tools marked with 230 V can also be operated with 220 V.**

Switching On (see figure J)

To save energy, only switch the power tool on when using it.

- To **start** the machine, press the On/Off switch **24** and keep it pressed.

Note: For safety reasons, the On/Off switch **24** cannot be locked; it must remain pressed during the entire operation.

The tool arm can be guided down only after pushing the locking lever **4**.

- For **sawing**, you must additionally press lever **4** in addition to actuating the On/Off switch **24**.

Switching Off

- To **switch off** the machine, release the On/Off switch **24**.

Working Advice**General Sawing Instructions**

- ▶ **For all cuts, it must first be ensured that the saw blade at no time can come in contact with the fence, screw clamps or other machine parts. Remove any mounted auxiliary stops or adjust them accordingly.**

- ▶ **Wenn slotting, ensure that the saw blade doesn't get jammed in the workpiece.**

Protect the saw blade against impact and shock. Do not subject the saw blade to lateral pressure.

Do not saw warped/bent workpieces. The workpiece must always have a straight edge to face against the fence.

Marking the Cutting Line (see figure K)

A laser beam indicates the cutting line of the saw blade. This allows for exact positioning of the workpiece for sawing, without having to open the retracting blade guard.

- For this, switch the laser beam on with the switch **25**.
- Align the cutting mark on your workpiece with reference to the right-hand edge of the laser line.

Position of the Operator (see figure L)

- ▶ **Do not stand in a line with the saw blade in front of the machine. Always stand aside of the saw blade.** This protects your body against possible kickback.

- Keep hands, fingers and arms away from the rotating saw blade.
- Do not cross your arms when operating the tool arm.

Permissible Workpiece Dimensions

Maximum workpiece sizes:

Mitre/Bevel Angle		Height x Width [mm]
Horizontal	Vertical	
0°	0°	80 x 335
45°	0°	80 x 230
0°	45° (leftward)	40 x 335
0°	45° (rightward)	30 x 335
45°	45° (leftward)	40 x 230
45°	45° (rightward)	30 x 230

Minimum workpiece sizes

(= all workpieces that can be clamped left or right from the saw blade with the supplied material clamp **17**):
230 x 50 mm (length x width)

Cutting depth, max. (0°/0°): 80 mm

Replacing the Insert Plate (see figure M)

The red insert plate **9** can become worn after long use of the power tool.

Replace defective insert plates.

- Bring the power tool into the working position.
- Unscrew screws **45** using a cross-head screwdriver and remove the old insert plate.
- Insert the new insert plate and screw all screws **45** in again.

Sawing**Sawing without Slide Movement (Cutting Off) (see figure N)**

- For cuts without slide movement (small workpieces), loosen the locking screw **31** in case it is tightened. Slide the tool arm to the stop in the direction of the fence **15** and retighten the locking screw **31**.
- Firmly clamp the workpiece as appropriate for its dimensions.
- Set the desired mitre angle.
- Switch on the machine.
- Push the locking lever **4** and guide the tool arm slowly downward with the tool handle **3**.
- Saw through the workpiece applying uniform feed.
- Switch off the machine and wait until the saw blade has come to a complete stop.
- Guide the tool arm slowly upward.

Sawing with Slide Movement

- For cuts using the slide device **23** (wide workpieces), loosen the locking screw **31** in case it is tightened.
- Firmly clamp the workpiece as appropriate for its dimensions.
- Set the desired mitre angle.
- Pull the tool arm away from the fence **15** far enough so that the saw blade is in front of the workpiece.
- Switch on the machine.
- Push the locking lever **4** and guide the tool arm slowly downward with the tool handle **3**.

- Press the tool arm in the direction of the fence **15** and saw through the workpiece applying uniform feed.
- Switch off the machine and wait until the saw blade has come to a complete stop.
- Guide the tool arm slowly upward.

Sawing Workpieces of the Same Length (see figure O)

The material stop **14** can be used for easily sawing workpieces to the same length.

- Fold the left or right length stop **14** upward.
- Adjust the saw table extension **13** to the desired length (see "Extending the Saw Table", page 13).

Adjusting the Depth Stop (Sawing Grooves) (see figure P)

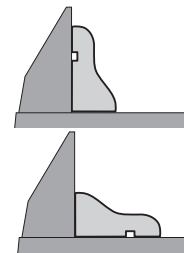
The depth stop must be adjusted when a trench gap is to be sawed.

- Push the locking lever **4** and lower the tool arm to the desired position.
- Swivel the depth stop **46** outward.
- Turn adjusting screw **22**, until the screw end touches depth stop **46**.
- Guide the tool arm slowly upward.

Sawing Profile Strips

Profile strips/mouldings can be sawn in two different ways:

- Placed against the fence



- Lying flat on the saw table

In addition, the cut can be performed with or without slide movement depending on the width of the profile strip/moulding.

Always make trial cuts with the mitre angle setting first on scrap wood.

Special Workpieces

When sawing curved or round workpieces, these must be especially secured against slipping. At the cutting line, no gap may exist between workpiece, fence and saw table.

Provide for special fixtures, if required.

Transport (see figure Q)

Before transporting the power tool, the following steps must be carried out:

- Bring the machine into the transport position.
- Lock saw-table extensions **13**, ring spanner **16** and material clamp **17** with the corresponding fastening screws **32**, **48** and **29**.
- Remove all accessories that cannot be mounted firmly to the power tool.
If possible, place unused saw blades in an enclosed container for transport.

16 | English

- Carry the machine by the transport handle **2** or hold it by the recessed handles **47** on the sides of the saw table.
- ▶ **The power tool should always be carried by two persons in order to avoid back injuries.**
- ▶ **When transporting the power tool, use only the transport devices and never use the protective devices.**

Maintenance and Service

Maintenance and Cleaning

- ▶ **Before any work on the machine itself, pull the mains plug.**

For safe and proper working, always keep the power tool and its ventilation slots clean.

The retracting blade guard must always be able to move freely and retract automatically. Therefore, always keep the area around the retracting blade guard clean.

Remove dust and chips after each working procedure by blowing out with compressed air or with a brush.

Clean the laser unit regularly **21**.

After-sales Service and Application Service

In all correspondence and spare parts order, please always include the 10-digit article number given on the type plate of the machine.

Our after-sales service responds to your questions concerning maintenance and repair of your product as well as spare parts. Exploded views and information on spare parts can also be found under:

www.bosch-pt.com

Bosch's application service team will gladly answer questions concerning our products and their accessories.

Australia, New Zealand and Pacific Islands

Robert Bosch Australia Pty. Ltd.

Power Tools

Locked Bag 66

Clayton South VIC 3169

Customer Contact Center

Inside Australia:

Phone: (01300) 307044

Fax: (01300) 307045

Inside New Zealand:

Phone: (0800) 543353

Fax: (0800) 428570

Outside AU and NZ:

Phone: +61 3 95415555

www.bosch.com.au

Republic of South Africa

Customer service

Hotline: (011) 6519600

Gauteng – BSC Service Centre

35 Roper Street, New Centre

Johannesburg

Tel.: (011) 4939375

Fax: (011) 4930126

E-Mail: bsctools@icon.co.za

KZN – BSC Service Centre

Unit E, Almar Centre

143 Crompton Street

Pinetown

Tel.: (031) 7012120

Fax: (031) 7012446

E-Mail: bsc.dur@za.bosch.com

Western Cape – BSC Service Centre

Democracy Way, Prosperity Park

Milnerton

Tel.: (021) 5512577

Fax: (021) 5513223

E-Mail: bsc@zsd.co.za

Bosch Headquarters

Midrand, Gauteng

Tel.: (011) 6519600

Fax: (011) 6519880

E-Mail: rbsa-hq.pts@za.bosch.com

Disposal

The machine, accessories and packaging should be sorted for environmental-friendly recycling.

Do not dispose of power tools into household waste!

Subject to change without notice.



optiline
WOOD



speedline
WOOD

fast
CUT



CONSTRUCT
WOOD

fast
CUT

