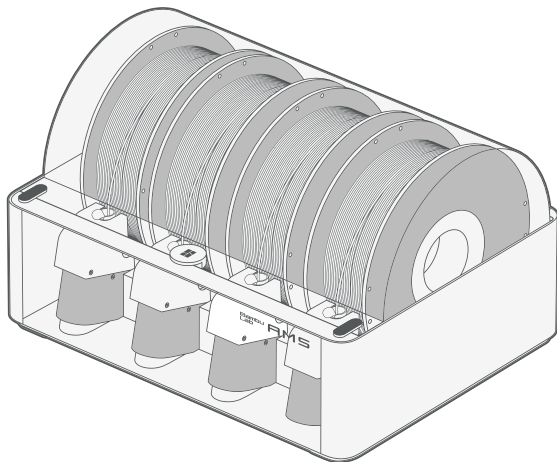


# Bambu Lab AMS

## Quick Start

Please review the entire guide before operating the AMS

**\* Safety Notice: Do not connect to power until the assembly is complete.**



---

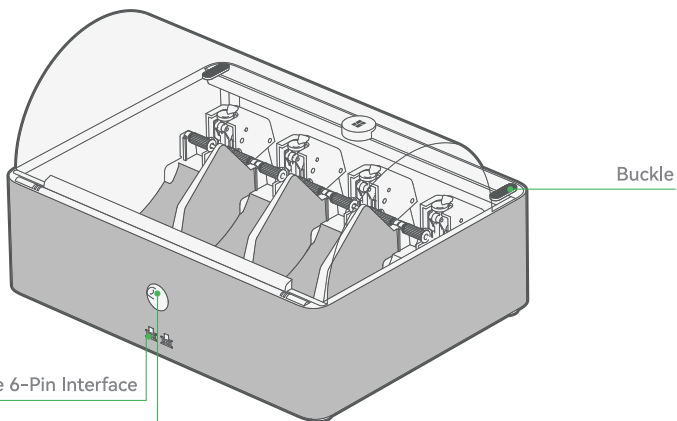
## \*Warning:

- When operating the AMS, we recommend using Bambu Filament, which has been thoroughly tested to work with the AMS.
- **Please make sure to avoid using soft materials like TPU or damp PVA, as they can get stuck in the AMS.**
- AMS supports spool width of 50 mm - 68 mm. We highly recommend using filament with plastic spools that fit correctly inside the AMS. If you prefer to use cardboard spools, we strongly advise using a spool adapter to reduce the risk of slippage and debris getting left behind in the AMS.
- If you run into any issues with specific filaments, please let us know so that we can provide better advice to our community.



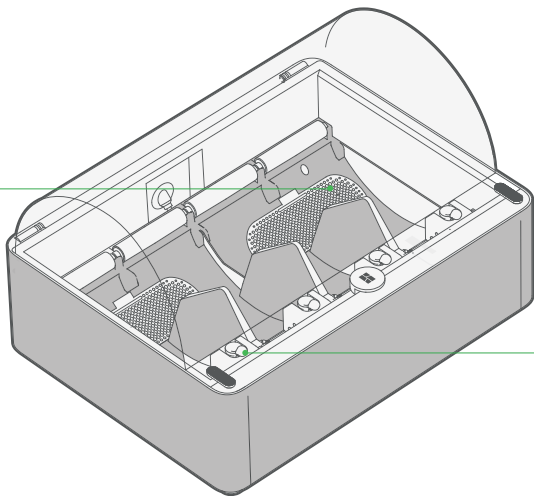
## Component Introduction

---



---

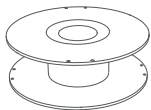
Desiccant



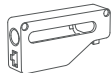
Filament Inlet

## Accessory Specification

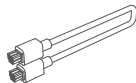
---



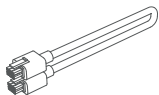
Bambu Reusable Spool (x4)



Filament Buffer



Bambu Bus Cable-4Pin



Bambu Bus Cable-6Pin



Spare Filament Cutter(x2)

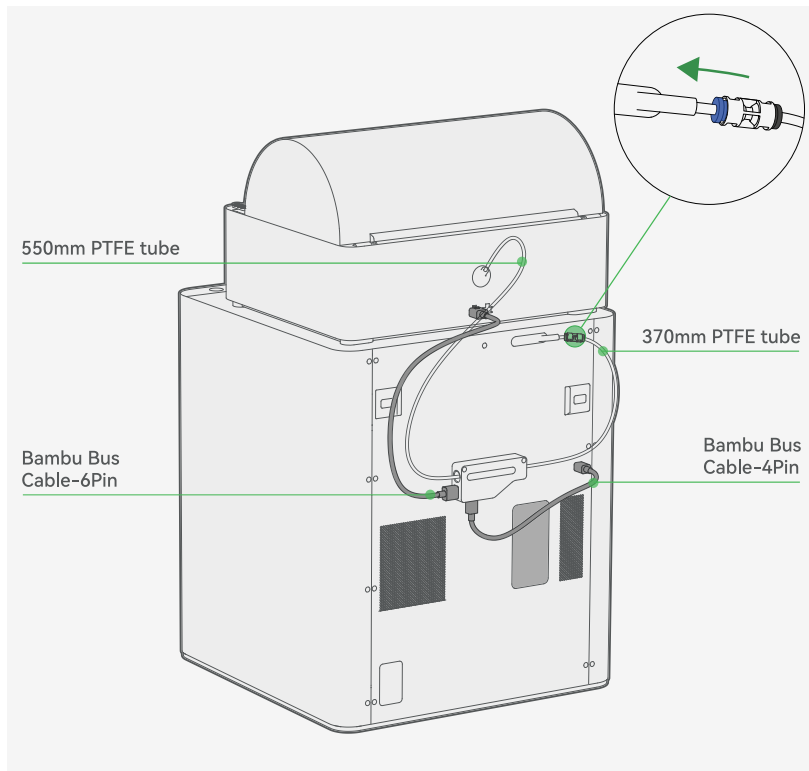


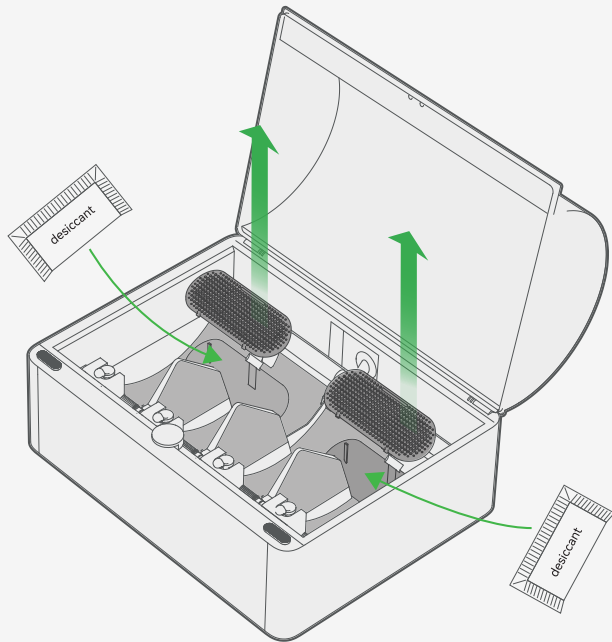
PTFE Tube



PTFE Tube Connector

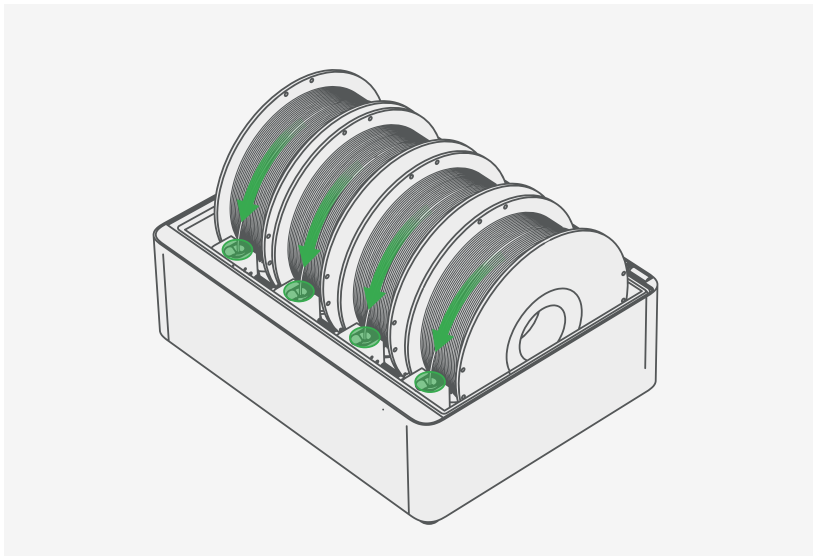
## AMS Assembly





## Filament Pre-Loading

---



Place at least one spool of Bambu Filament into the AMS. Turn on the power to start the printer and the AMS. Insert the filament into the filament inlet. The filament will be automatically pre-loaded when detected.





**Enjoy!**

If you run into any issues during the guided setup, we are here to help.  
[support@service.bambulab.com](mailto:support@service.bambulab.com)



**Bambu Lab**

[www.bambulab.com](http://www.bambulab.com)